

Radio Sounder and Beacon

EDA-A230 / A235 / A2030

- **High Intensity LED Beacon**
- **Adjustable Sound Level to maximum of 105dB**
- **Totally Wire Free**
- **Entirely Self Contained**
- **14 Tones Selectable From Control Panel**
- **Up to 7 Year Battery Life**
- **Optional Callpoint Input**
- **Compatible with Entire EDA Radio Range of Products**
- **Designed and Built in the UK**

DESCRIPTION

In order to simplify system design and compliance with the Disability Discrimination Act, Electro-Detectors are proud to have launched the new sounder beacon for the Millennium and Zerio fire alarm systems. The unit, which been developed from the popular stand-alone sounder, boasts a intense light output from a single red LED producing far more illumination than you would expect from such a small unit. Despite the increased functionality the sounder beacon still achieves a seven year battery life and 105dB sound output.

In normal operation the unit continuously listens via its built in radio receiver to any instruction emanating from its controlling panel. Once operating it continues to listen for further instructions to change tone or silence.

To ensure that the integrity of the communication link is maintained, frequent transmissions are made by the sounder to the control panel so that in the unlikely event of the radio signal failing to reach the panel a fault is reported.

The unit is fully configurable and is capable, like the standard sounder model, of being programmed into 255 individually controlled sounder areas. By default, the unit will flash whenever the sounder operates but the system is capable of being configured so that the beacon can be independently activated.



SPECIFICATION

Power source	Dual lithium cells
Battery life	Up to 7 years
Battery Capacity	15Ah
Sound Output	105dB at 1m (adjustable)
Beacon	Red High Intensity LED Beam-spreading Lens
Temperature Range	0°C to + 60°C
Humidity	0 to 95% (no condensation)
Construction	
- Casing	Injection Moulded U.V. Stabilised ABS Plastic
- Electronics	Single Circuit Board Surface Mount Technology

ORDER CODES

EDA-A230	Millennium Radio Electronic Sounder with Beacon (White)
EDA-A231	As above with Call-point Input
EDA-A232	As A230 with External Antenna
EDA-A235	Millennium Radio Electronic Sounder with Beacon (Red)
EDA-A236	As above with Call-point Input
EDA-A237	As A235 with External Antenna
EDA-A2030	Zerio Radio Electronic Sounder with Beacon (White)

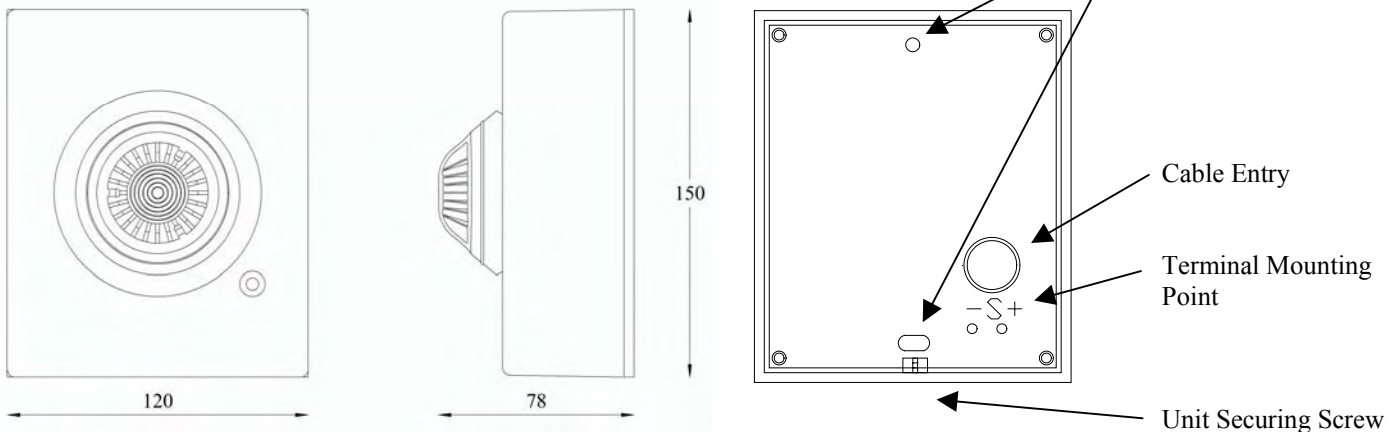
GENERAL INFORMATION

Weight	350g (approx.)
Dimensions (Including Base)	
Height	145mm
Width	119mm
Depth	78mm
Indications	Clear RED status LED flashes in fault. Constant when activated. Flashes when input in alarm
Fixing Holes	2x 4mm (No. 6 Screws)
Terminal Capacity	2 x 1.5mm ²
Cable Entry	20mm Diameter Rear entry only
Finish	White or Red Polished Colours Optional

Designed and built in the UK



EDA-A235 – Red Millennium Sounder Beacon



TECHNICAL INFORMATION

Conforms to appropriate sections of BS5839 and EN54
Powered by two independent lithium cells

Main Battery	– type D cell
Standby Battery	– type AA cell

LED indicator for alarm and fault conditions

Internal magnetic reed switch to reset unit

Unit Numbers 1 – 3000

255 Selectable Sounder Areas

Standard Tones	- Low Pitch
	- High Pitch
	- Slow Sweep
	- Warble
	- 4 x Intermittent Tones
	- 8 x Class Change Tones

Volume 105 – 85 dBA Internally adjustable by programming

Auxiliary Output (Optional) Mosfet switching to ground on Alarm. Switch rating 1A @ 24V

Beacon Red high intensity LED
Beam spreading lens

Radio Specification

DTI Specification	EN300-220
Frequency	173.2250 MHz
Modulation	NBFM
Deviation	+/- 1.5KHz
Channel Spacing	25KHz
Transmitter Power	10mW ERP
Response Time	1 second

In the pursuance of a policy of continued product improvement, Electro-Detectors Ltd reserves the right to change the design and specification without notice. The quoted battery life is a theoretical calculation based on device performance under normal operating conditions in conjunction with the specification provided by the battery manufacturer. The figures provided are intended as a guide and therefore cannot be assumed to be a guarantee of the actual life achieved. All details were correct at time of printing.

Electro-Detectors

Distributor: ARM Ltd, Brunel Road, Enterprise Park, Leominster. HR6 0LX
tel: (01568) 610 016 fax: (01568) 615 511
e-mail: sales@arm.uk.com web: www.arm.uk.com